

**TOA-TONE LOW HEAD REVERSE CIRCULATION DRILL SERIES**

# ***MULTIPLE PILE DRIVER***

**WITH POWERFUL TORQUE FOR LARGE AND DEEP PILE DRILLING**

**PLUS TELESCOPIC LEADER FOR OPERATING AT RESTRICTED SPACE**

***MPD-45***



***MPD-25***



**TOA-TONE BORING CO., LTD.**

<http://www.toa-tone.jp>

# MPD MULTIPLE PILE DRIVER

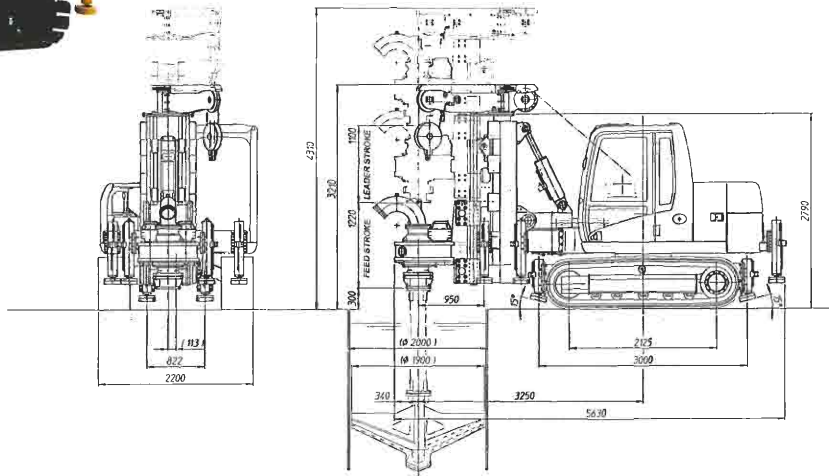
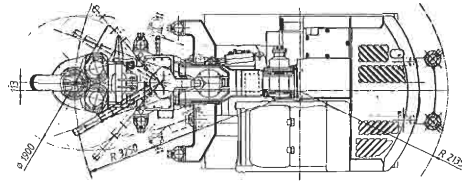
**Applicable to larger diameter and deeper pile drilling with high torque and enable to operate at restricted space with height limit by facilitating telescopic leader**



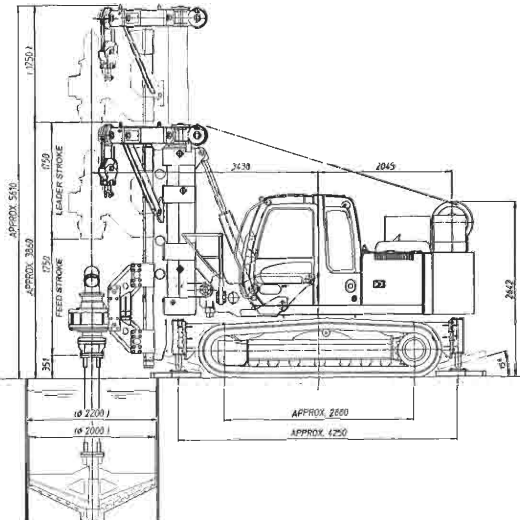
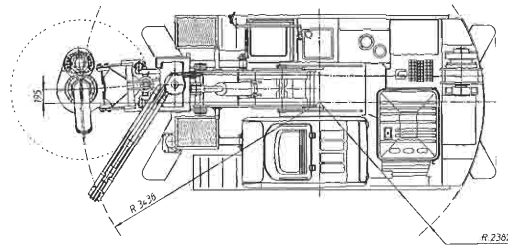
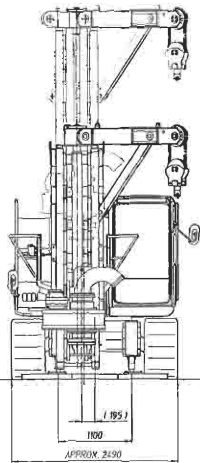
**MPD-25**



MPD-25 Remote Control Console



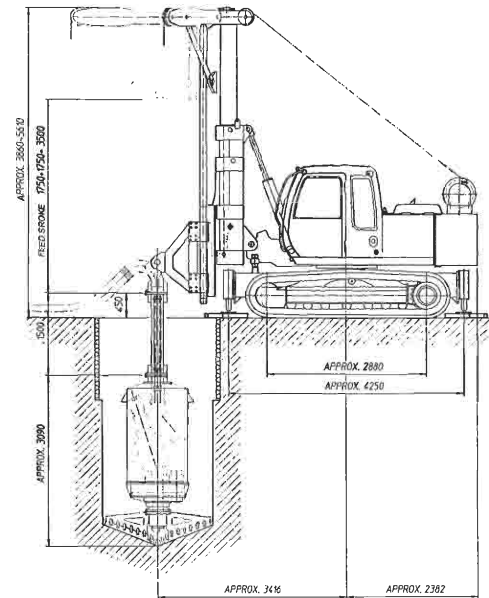
**MPD-45**



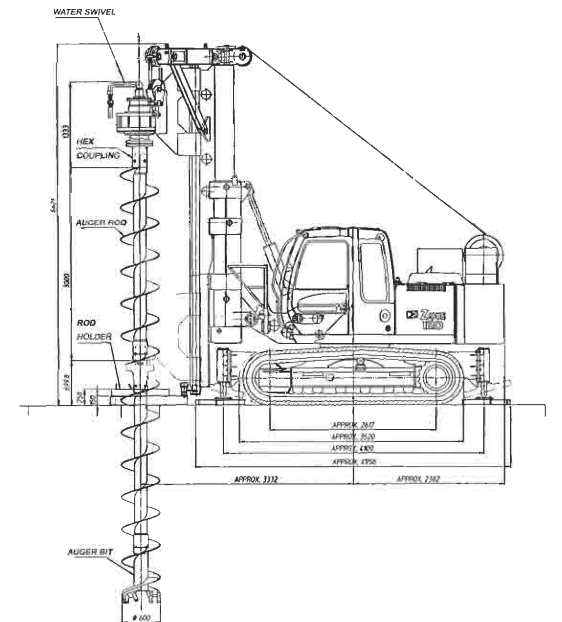
## FEATURES OF MPD-25 & MPD-45

- ① Newly designed hydraulic top head drive improves drilling performance
- ② Telescopic leader can enable to operate at restricted space with height limit and improve working performance
- ③ Possible to handle steel cage by the hoist with 16 ton capacity (10 ton for MPD-25 with double line)
- ④ Compact design and light weight improves the mobility
- ⑤ Convertible to various applications by replacing or adding optional attachment

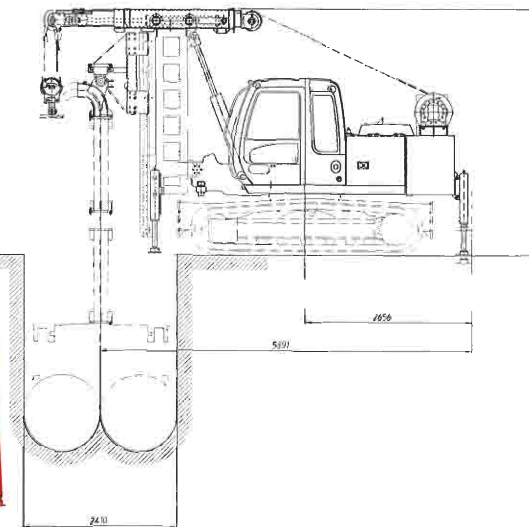
### ■ Down-the-hole bit drilling (Submersible sand pump built-in type)



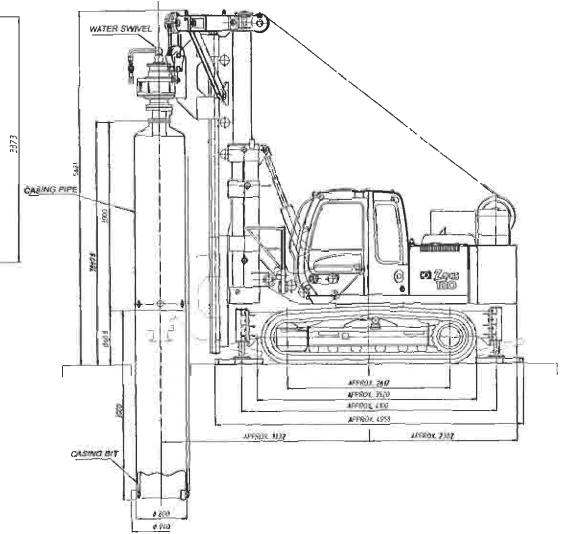
### ■ Hydraulic auger drilling



### ■ Diaphragm wall trenching



### ■ Steel pipe piling



# LOW HEAD REVERSE CIRCULATION DRILL

## ***MULTIPLE PILE DRIVER***

### TECHNICAL SPECIFICATIONS FOR MPD-25 & MPD-45

Items		MPD-25	MPD-45
Total weight (kg)		13,000	18,200
Engine	Model name	mitsubishi "4M40E1"	ISUZU "CC-4BG1TC"
	Output kW/min <sup>-1</sup> (PS/rpm)	40.5/2,100 (55/2,100)	63/1,950 (85/1,950)
	Displacement cc	2,800	4,329
Base machine	Traveling speed km/h	5.3/3.5	5.5/3.4
	Gradeability	15 degree	15 degree
	Type	Crawler, self-propelled	Crawler, self-propelled
Rotary head	Type	3 speeds, hydraulically driven	2 speeds, hydraulically driven
	Torque kN-m (ton-m)	13.8/27.5/55.1 (1.4/2.8/5.6)	22.1/44.1 (2.2/4.5)
	Rotation speed rpm	0 - 28/0 - 14/0 - 7	0 - 20/0 - 10
	Reverse diam. mm	200	200
Feed system	Type	Telescopic jack	Telescopic jack
	Max. hold-back kN (ton)	147 (15)	147 (15)
	Max. pull-down kN (ton)	98 (10)	98 (10)
	Max. feed stroke mm	2,320	3,500
	Min. feed stroke mm	1,220	1,750
Leader	Type	Box type, extendable	Box type, extendable
	Height range mm	3,210 - 4,310	3,900 - 5,650
Hoist	Type	Hydraulically driven	Hydraulically driven
	Pulling capacity kN (ton)	49 (5) at single line	47 (4) at single line
	Spooling capacity	60 m with 16 mm cable	75 m with 14 mm cable
Dimensions	While drilling (max.) mm	5,550 x 2,200 x 4,310	6,351 x 2,490 x 5,620
	While drilling (min.) mm	5,550 x 2,200 x 3,210	6,351 x 2,490 x 3,875
	While transportation mm	5,550 x 2,200 x 2,800	5,677 x 2,490 x 2,930

Remarks: For continuous improvement of the products, we have the right to change any technical specifications without prior notice.

## TOA-TONE BORING CO., LTD.

3-7 Roppongi 7-chome, Minato-ku, Tokyo 106-8552, Japan

Phone : 81-3-5775-3921 Fax : 81-3-5775-3967

URL: <http://www.toa-tone.jp>